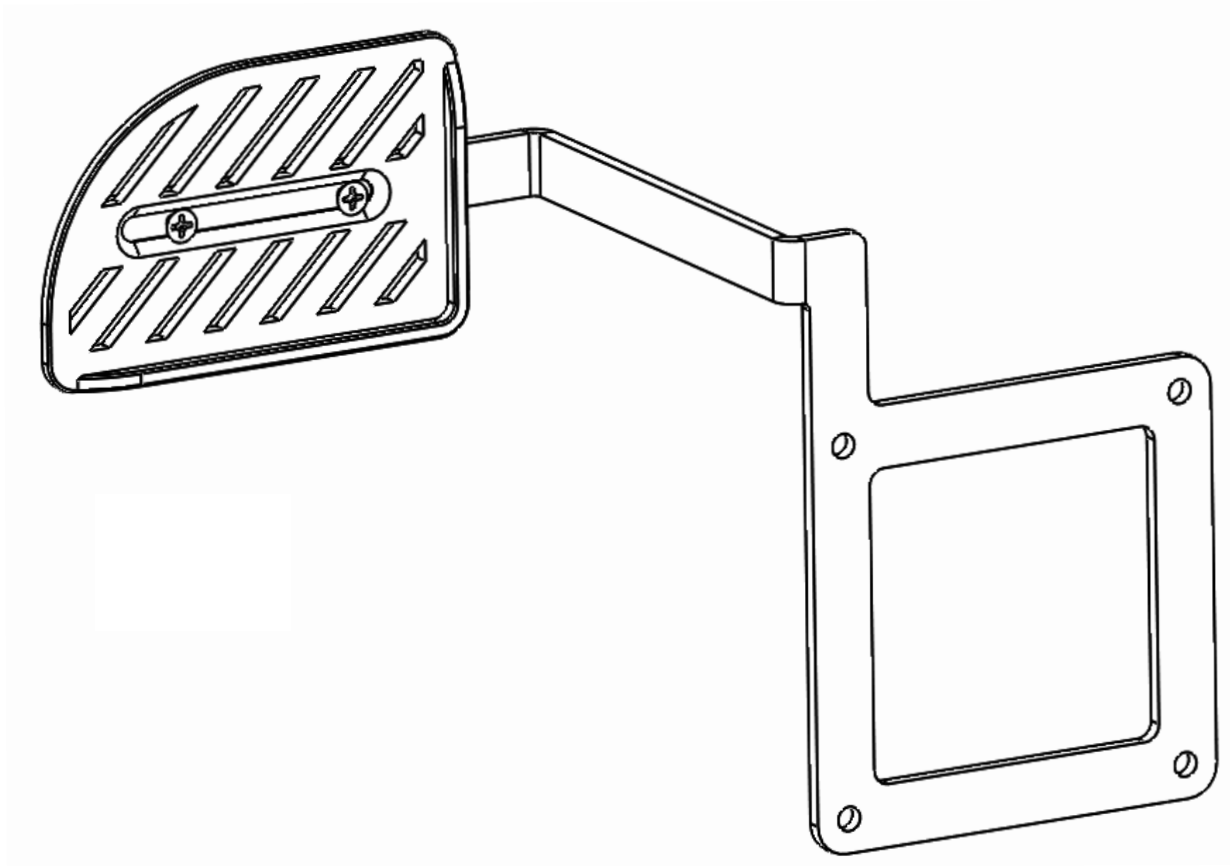


# Docuvue

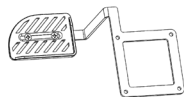
Assembly Instructions

STB-DVUA-IP12/IP9



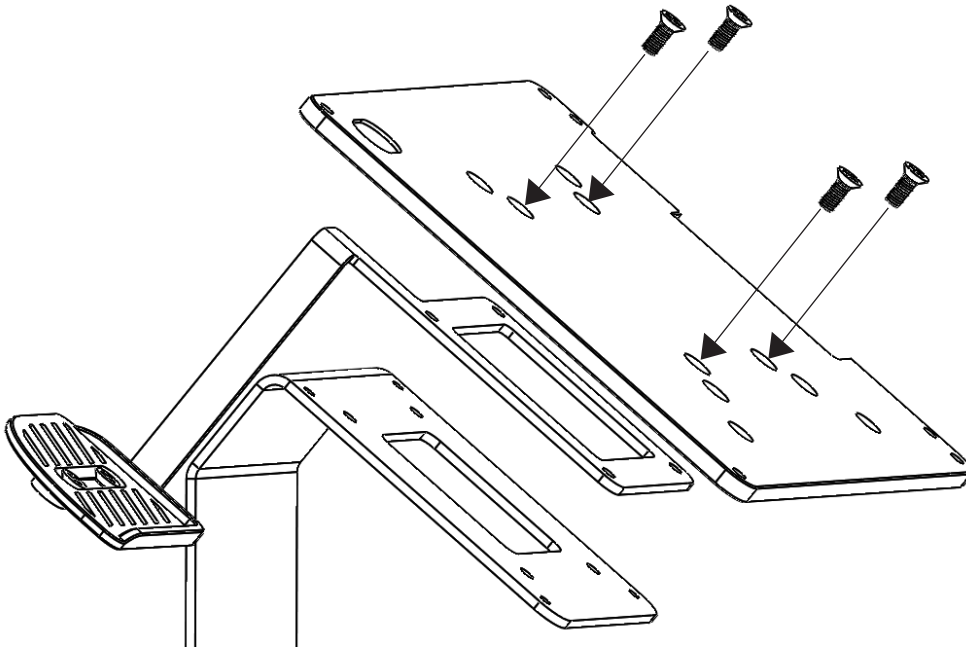
# Parts Included

Docuview



(1)

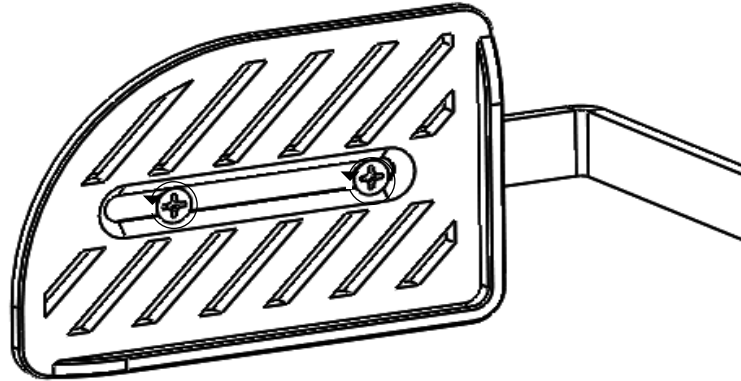
- ① Attach backplate and docuvue to base



- ② Proceed with included enclosure installation instructions

# Adjusting your DocuVue

- ① Open your iPad's camera app
- ② Loosen both screws on DocuVue



- ③ Place identification card onto DocuVue

- ④ Move the DocuVue into place so that your camera can see the whole identification card
- ⑤ Remove identification card and tighten screws

## Warranty

This product comes with VAULT's Lifetime Warranty. All items are covered under this warranty with the following exceptions.

- Damage caused from misuse, abuse, neglect, acts of God.
- Lost parts or surface scratches from use or other actions.
- Stripped or broken screws, warped parts from misuse or improper installation.

All warranty claims should be submitted through the company that you originally purchased the product from. A receipt or other documentation showing date and location purchased will be required. Shipping to VAULT and return shipping to the end user are the responsibility of the end user. VAULT reserves the right to substitute a newer product or one of equal or higher value. If you should have any questions concerning this policy or other items, please contact VAULT at the address contained in this document.